

# P32240V35I\_T30

3.5 Inches, 320xRGBx240, 65K Colors, UNICView LCM



## ● Display

Item	Parameter	Description
Color	65K (65536) colors	16 bit color 5R6G5B
Visual Angle L/R/U/D	70° /70° /50° /70°	
Resolution	320*240	90° rotated display (240*320)
Backlight /Lifecycle/Brightness	LED/20,000 HOURS/ 400 cd/m <sup>2</sup>	
Working Temperature	-20~+70°C/-30~+80°C	64 levels adjustment
Static ESD	±12KV	

## ● Voltage & Current

Item	Conditions	Min	Typ	Max	Unit
Power Voltage	-	6	12	40	V
Operation Current	VIN = 12V, Backlight on	-	120	-	mA
	VIN = 24V, Backlight on	-	70	-	mA
	VIN = 12V, Backlight off	-	60	-	mA

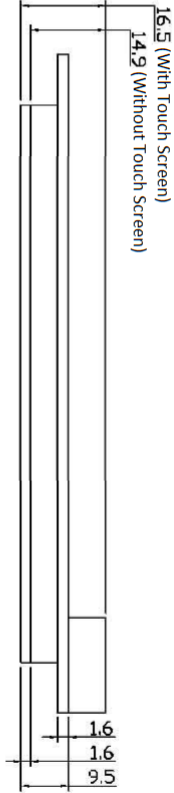
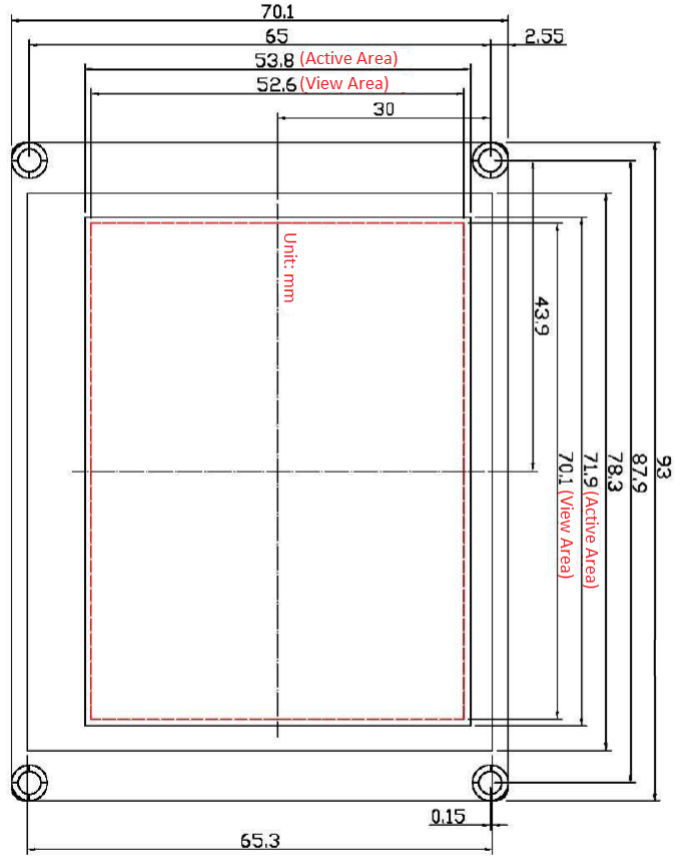
## ● Interface

Item	Conditions	Min	Typ	Max	Unit
Baudrate	Standard	1200	115200	892900	bps
Interface	RS232C				
Data Format	1 byte for initial, 8 bytes for data, invalid bytes for checksum, 1 byte for end				
Socket	SMD2.0-8P with lock catch				

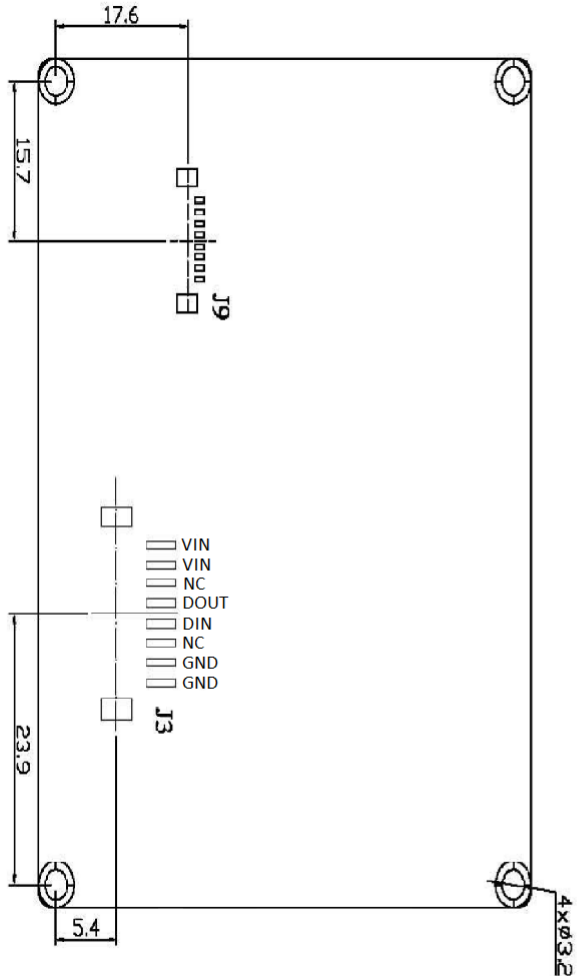
## ● Peripherals

No.	Parameter	Description
1	Touch Screen	4-wire resistance touch screen: P32240V35I_T30
		4-wire capacitive touch screen: P32240V35I_P30
		No touch screen: P32240V35I_N30
2	Buzzer	YES
3	RTC	YES
4	USB	YES. For downloading offline or user data copy.
5	USB Mini	YES. For online debugging.
6	Audio	Support *.MP3 files. Theoretically 4096 file at maximum. Speaker power: 4 Ω 2W or 8 Ω 2W.
7	Keyboard	Support external row keyboard.
8	Memory	128M(support *.jpg files, maximum 65536 files theoretically), extended to 1G at maximum.





Pin Name	Pin Definition	Pin Type	Remarks
VIN	7, 8	P	POWER INPUT
GND	1, 2	-	GND
DIN	4	IN	DIN
DOUT	5	OUT	DOUT
NC	3, 6	-	Not Defined



Part No.	P32240V35I_T30		
Datasheet	A4	Drawn by	Proculus
Proportion	1:1	Verified by	Date
Unit	mm	Confirmed by	Date