

# P32240J28C\_T01

## 2.8 Inches, 320xRGBx240, 65K Colors, UNICView LCM

### ● Display

Item	Parameter	Description
Color	65K (65536) colors	16 bit color 5R6G5B
Resolution	320*240	90° rotated display (240*320)
Backlight /Lifecycle/Brightness	LED/20,000 HOURS/ 250 cd/m <sup>2</sup>	64 levels adjustment
Working Temperature	-20~+70°C/-30~+80°C	

### ● Voltage & Current

Item	Conditions	Min	Typ	Max	Unit
Power Voltage	-	-	5	-	V
Operation Current	VIN = 5V, Backlight on	-	160	-	mA
	VIN = 5V, Backlight off	-	100	-	mA

### ● Reliability Test

Item	Conditions	Min	Typ	Max	Unit
Working Temperature	60%RH at 5V voltage	-20	25	70	°C
Storage Temperature	-	-30	25	85	°C
Working Humidity	25°C	10%	60%	90%	RH
Protective Paint	-	-	None	-	-
Aging Test	-	-	8	-	H

### ● Interface

Item	Conditions	Min	Typ	Max	Unit
Baudrate	Standard	1200	115200	921600	bps
	User Defined	1200	-	921600	bps
Output Voltage (TXD, BUSY)	Output 1, Iout = 1mA	3.0	3.2	-	V
	Output 0, Iout = -1mA	-	0.1	0.2	V
Input Voltage (RXD, I/O0)	Input 1, Iin = 1mA	2.0	3.3	15.0	V
	Input 0, Iin = -1mA	-15	0.0	0.3	V
Interface	8N1, 3.3V TTL/CMOS				
Socket	10Pin_1.0mm FCC				
USB	None				
SD Slot	SDHC with format FAT32				

### ● Memory

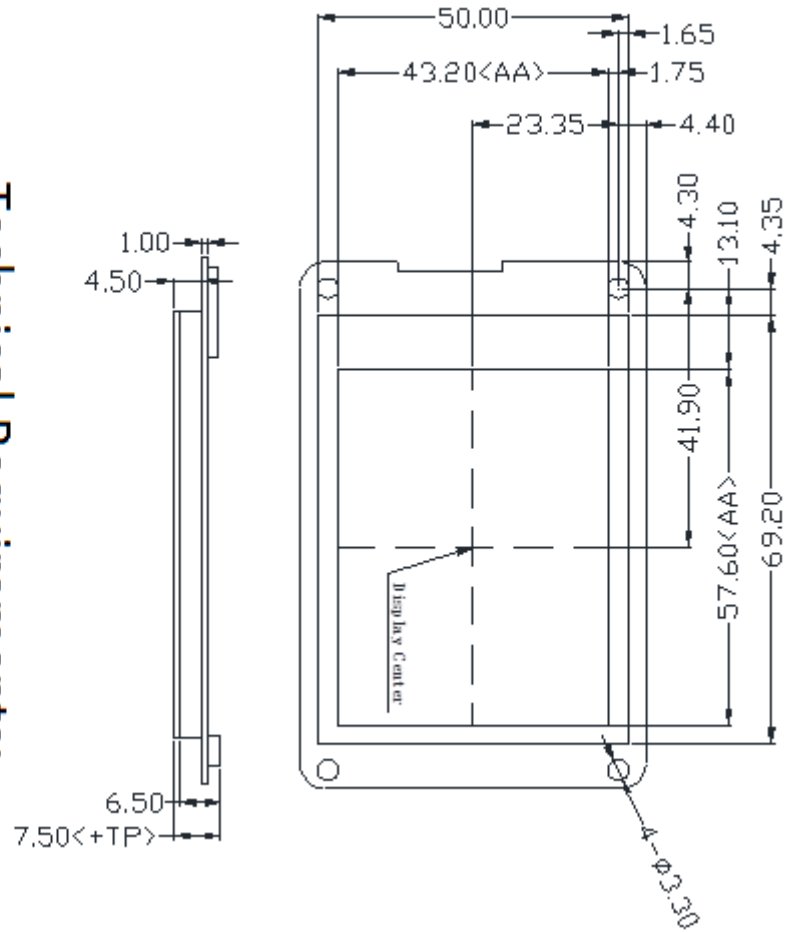
Item	Parameter	Min	Typ	Max	Unit
Flash	Space of Font	-	32	-	MB
	Picture Storage (128MB)	-	-	373	Pcs
	Picture Storage (256MB)	-	-	868	Pcs
	Picture Storage (1GB)	-	-	2800	Pcs
	User Memory	0	-	32	MB

### ● Peripherals

No.	Parameter	Description
1	Touch Screen	4-wire resistance touch screen: P32240J28C_T01
		No touch screen: P32240J28C_N01
2	RTC	YES
3	SD Card	YES

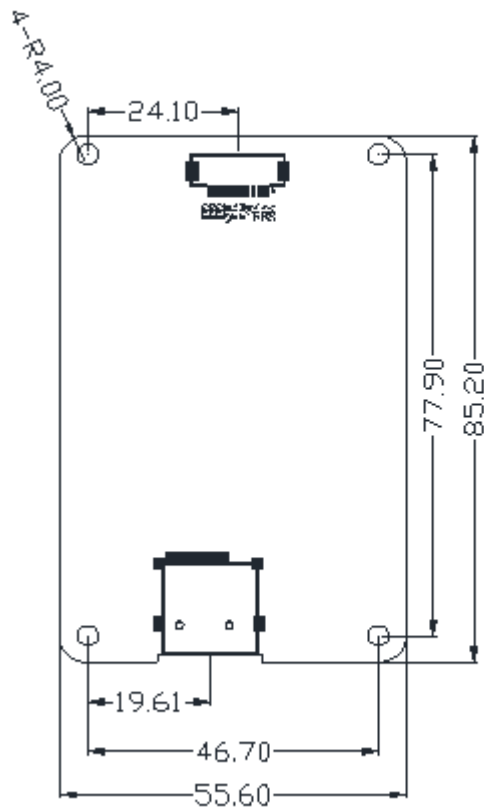
### ● Packing Capacity & Dimension

Dimension	
Dimension	85.2 (W) × 55.6 (H) × 6.5 (No TP) / 7.5 (With TP)mm



**Technical Requirements:**

- 1. Unit: mm
- 2. Unmarked Tolerance:  $\pm 0.3$



Pin Name	Pin Num.	Pin Definition	Remarks
VCC	1,2,3	P	POWER INPUT
BUSY	7	OUT	Busy (Buffer full) signal
TXD	6	OUT	DOUT
RXD	5	IN	DIN
GND	8,9,10	P	GND
NC	4	-	Not Defined